

 **SECR**

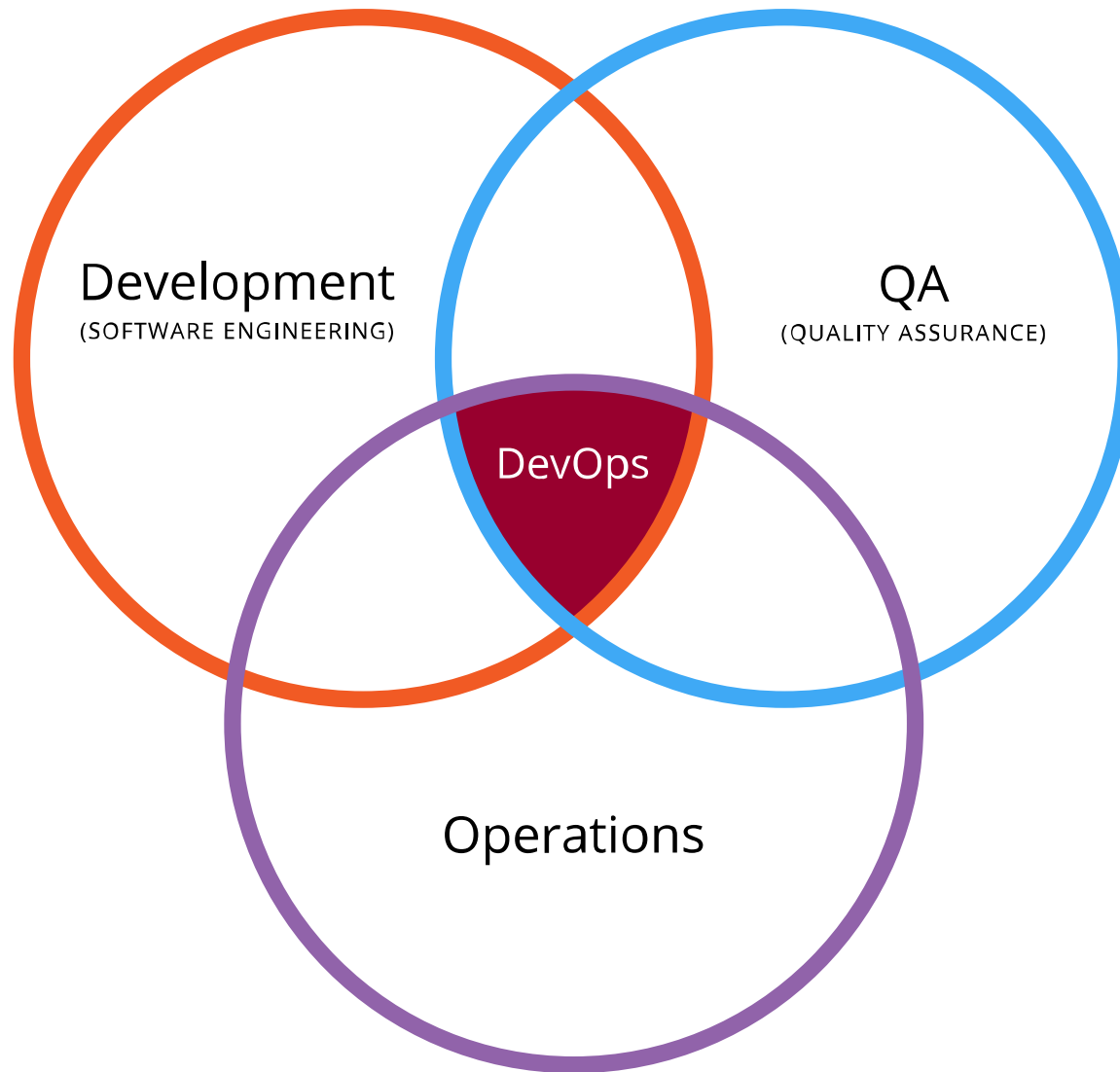


KUBERNETES@DEVOPS

AUTHOR

TL;DR

DEVOPS



Development
(SOFTWARE ENGINEERING)

QA
(QUALITY ASSURANCE)

DevOps

Operations

COMPANY PROCESS

- 5 releases per year
- QA Handoff, OPS handoff...
- Everything should be planned ahead

AND I HANDLED THE INTERESTING TASK...

HISTORY

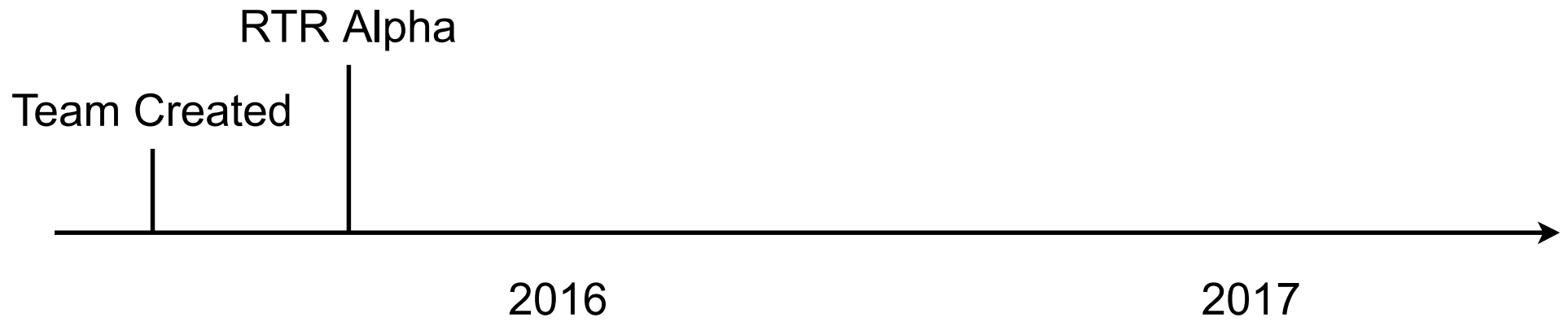
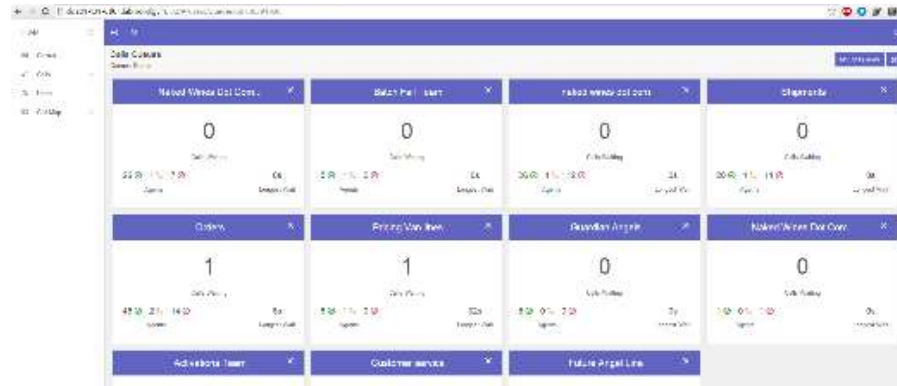


Team Created



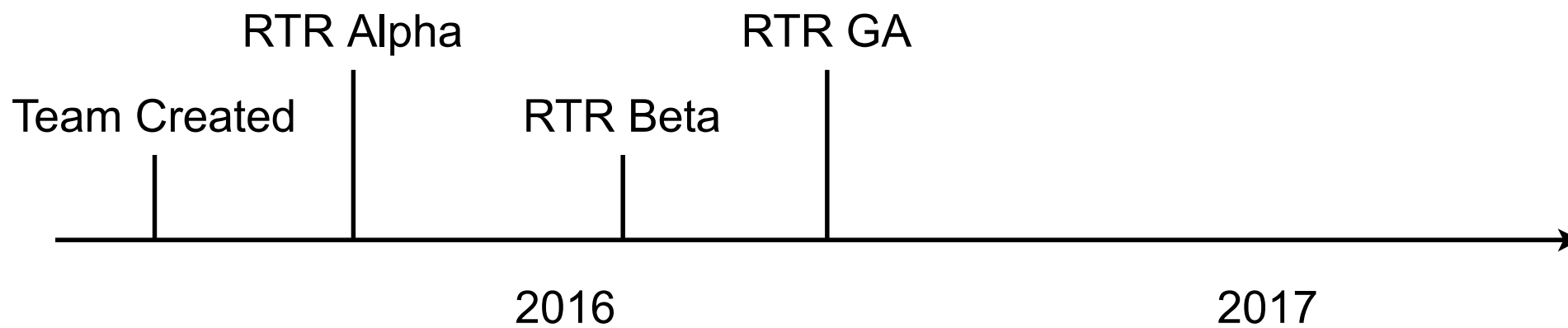
2016

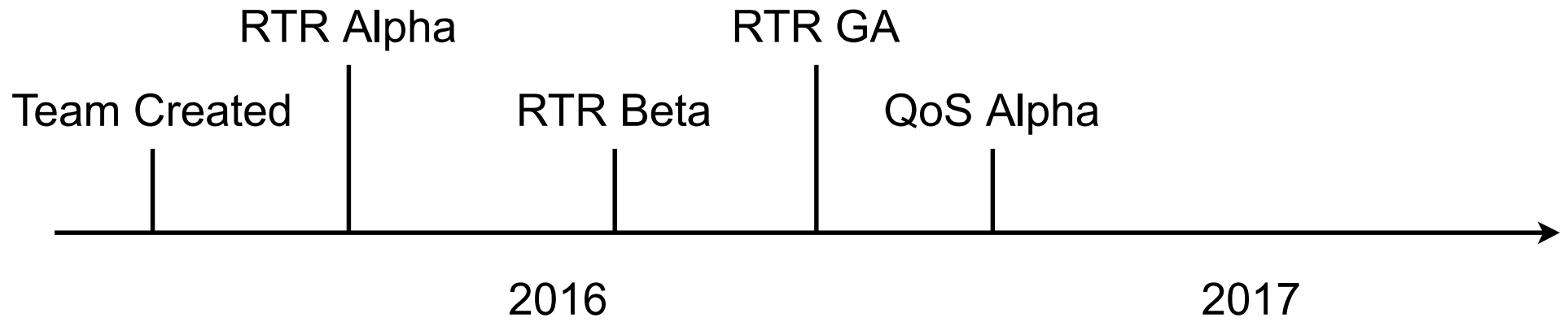
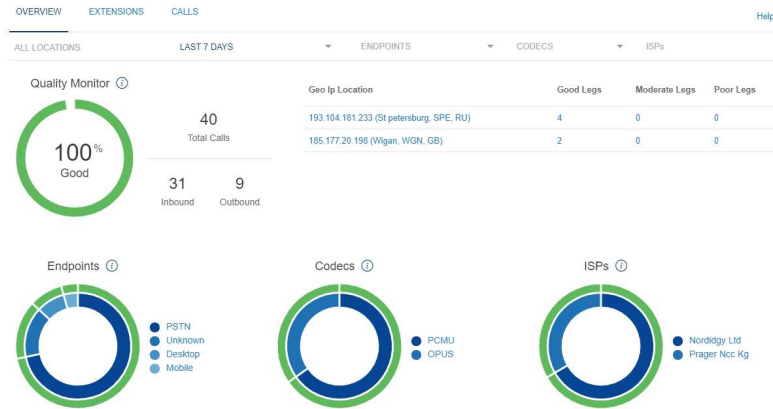
2017



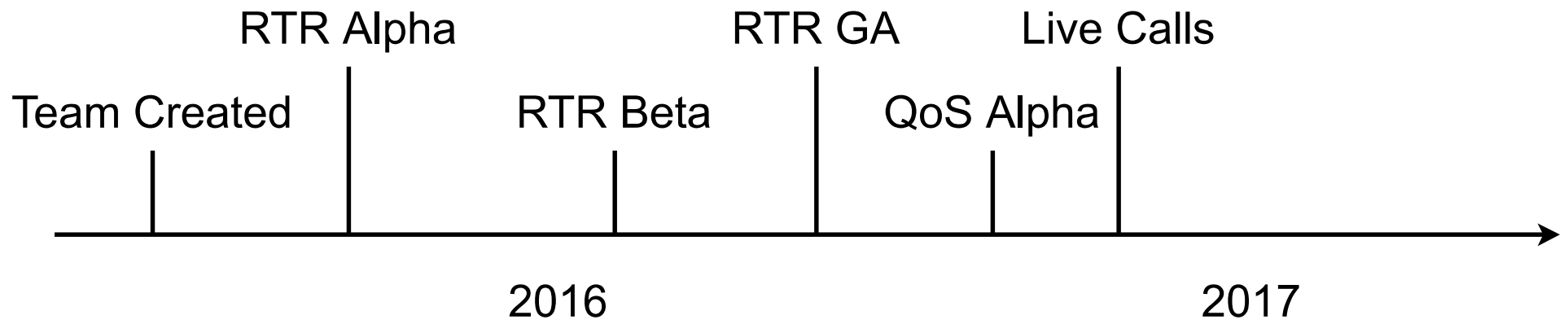


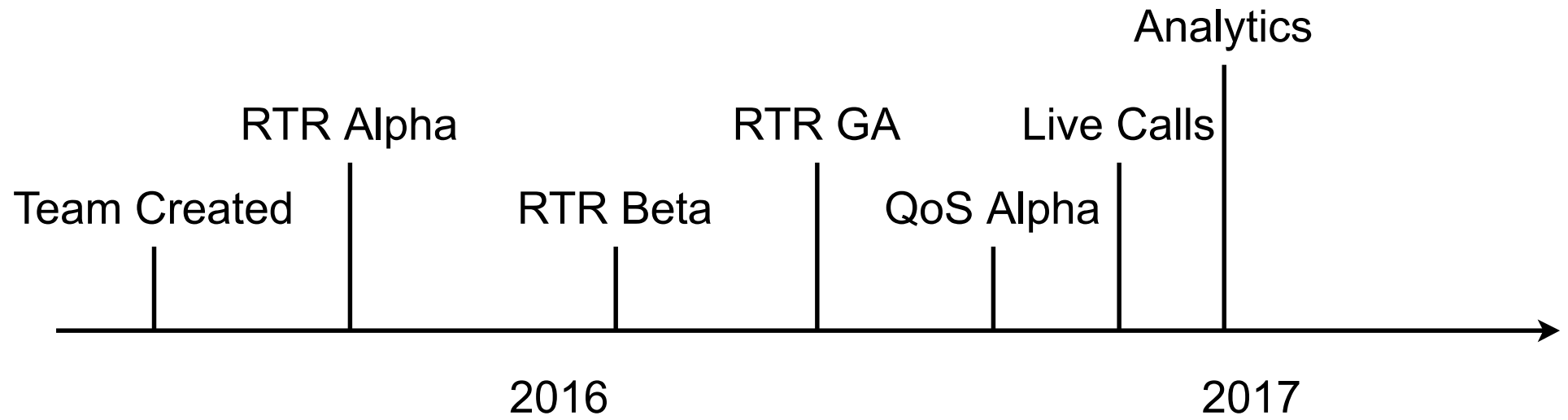
- SEE? STUCK AGAIN

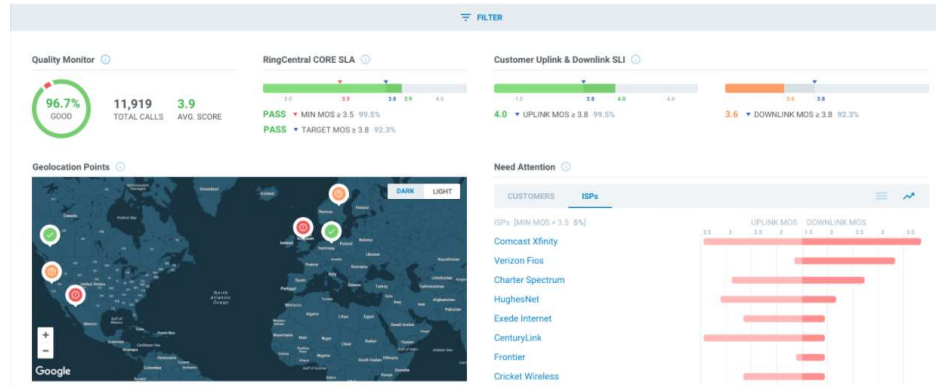




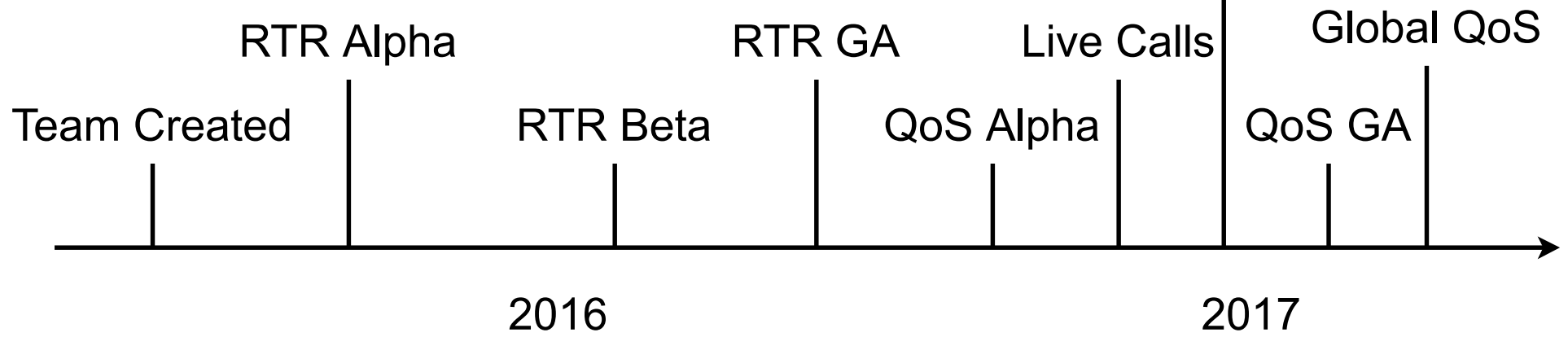
| Contact Details | | | | | | |
|-----------------|--------|------------------|-----------|----------------------|--------------|--|
| Start Time | Number | Status | Direction | Agent | Call Journey | |
| 15:25 | +1888 | Live Talk | Inbound | Agent Contact Center | | |
| 15:23 | +1888 | Redirected to VM | Inbound | - | | |
| 15:18 | +1888 | Redirected to VM | Inbound | - | | |







Analytics



NUMBERS

- 4 projects for the last 2 years
- everything in containers
- ~1000 containers
- 4 datacenters, 6 environments
- 30+ microservices
- 40 minutes from merge to production
- 100%* availability (2017)

HOW IT WORKS

WHAT WE NEED

- Issue Management
- CI Runner
- Code Review
- Deployment Management
- Monitoring and Alerting
- Autoscaling
- Routing, Service Discovery





WHY KUBERNETES

- Powerful API
- All included (except for network)
- Useful Service Discovery and IP per Pod
- Deployments and Daemon Sets
- It works

5 CHANNELS

- Develop
- Integration
- Staging
- Beta
- Stable

WORKFLOW

1. Issue creation
2. Merge into master
3. Release
4. Beta Rollout
5. Stable Promotion

IMMUTABLE CONTAINER

Develop

Integration

Staging

Beta

Stable



Container

CONDITIONS

- Product first
- Everything automated
- Green test, good coverage
- Monitor everything
- All in containers
- All containers managed by Kubernetes



JUST DO IT